

# Universal Office Solution

your complete office solution...

# Arc.





# CONTENTS



CONTENTS		SPECIFICATION	
05	<b>INTRODUCTION</b>	30	TA1 <b>FOUR-LEG CHAIR</b>
06	TA1 <b>MULTIPURPOSE FOUR-LEG CHAIR</b>	31	TA2 <b>FOUR-LEG CHAIR WITH BRACE</b>
08	TA2 <b>BRACED FOUR-LEG CHAIR</b>	32	TA3 <b>SKID CHAIR</b>
10	TA3 <b>FLEXIBLE SKID CHAIR</b>	33	TA4 <b>REVERSE CANTILEVER</b>
12	<b>ARC AND THE ENVIRONMENT</b>	34	TA5 <b>HIGH STOOL</b>
14	TA4 <b>REVERSE CANTILEVER CHAIR</b>	35	TA6 <b>MOBILE FOUR-LEG</b>
16	TA5 <b>FLEXIBLE HIGH STOOL</b>	36	TA7 & TA8 <b>DYNAMIC 3D TILT &amp; PERSONAL WORKSPACE</b>
18	TA6 <b>MOBILE FOUR-LEG CHAIR</b>	37	TA9 & TA10 <b>COMMUNITY WITH STORAGE BASE &amp; PERSONAL WORKSPACE</b>
20	<b>HEALTH AND WELLBEING</b>	38	TA11 & TA12 <b>SWIVEL &amp; PERSONAL WORKSPACE</b>
22	TA7 & TA8 <b>DYNAMIC 3D TILT CHAIR &amp; PERSONAL WORKSPACE</b>	39	<b>FINISHES</b>
24	TA9 & TA10 <b>COMMUNITY CHAIR WITH STORAGE BASE &amp; PERSONAL WORKSPACE</b>		
26	TA11 & TA12 <b>HEIGHT ADJUSTABLE SWIVEL CHAIR &amp; PERSONAL WORKSPACE</b>		



# INTRODUCTION

## Meet Arc.

Arc is endlessly adaptable and designed for use within multiple environments, such as the secondary and further education sectors, café and conference facilities, and the healthcare sector. Arc's compound curves provide comfort, ergonomics, and strength. The bag base and arm tablet accessories allow the creation of a personal workspace in and around the chair.

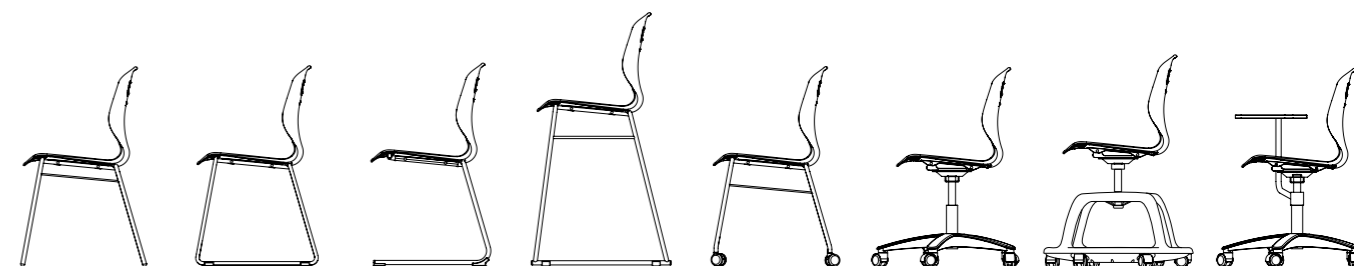
## What makes Arc special?

Arc was conceived and designed in the UK. It is a new aesthetic for Titan and will define the brand for years to come. It is a robust, single shell, injection moulded chair – multipurpose and versatile with various leg sets and colour palettes from which to choose.

It is 100% recyclable, fire retardant and contains an antimicrobial additive which is clinically proven to kill >99.9% of MRSA and E Coli bacteria whilst also inhibiting fungal growth.

It is one of a limited number of products that has been certified to both Parts 1 & 2 of the education standard BS EN 1729, specifying strength, stability and ergonomic requirements.

Titan Furniture is a global provider of innovative products and services to the education market.





TA1  
**MULTIPURPOSE  
FOUR-LEG  
CHAIR**



**Four-Leg Chair**  
*Page 30 for specification*

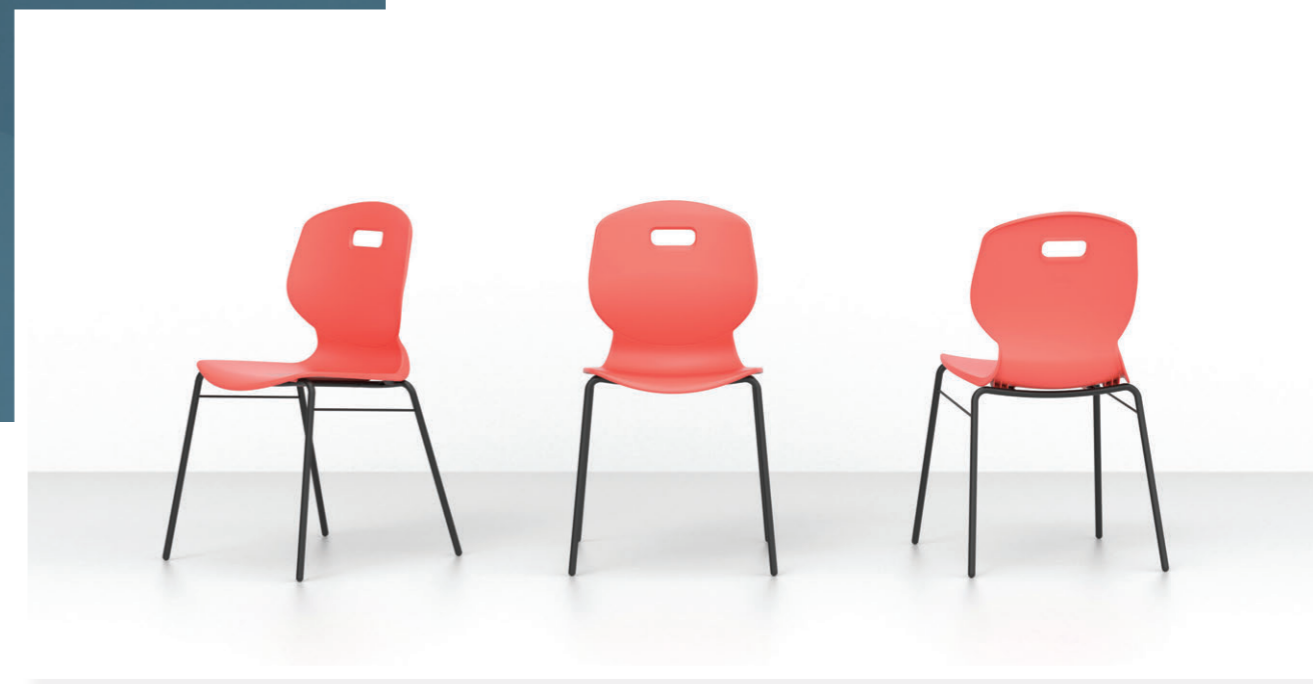
The Four-Leg Arc chair is a multipurpose product designed for conference rooms, seminar halls, education and modernised office spaces. Whatever its use, the Four-Leg is curated to add an extra level of support and comfort.



TA2  
**BRACED  
FOUR-LEG  
CHAIR**

**Four-Leg Chair with Brace**  
*Page 31 for specification*

The Four-Leg with Brace shares the same design features as the basic Four-Leg, with added strength and comfort for educational settings and workplaces. Building upon Arc's main characteristics, the Four-Leg also integrates a leg frame brace, adding to both the chair's aesthetic and the strength and stability of the product itself.

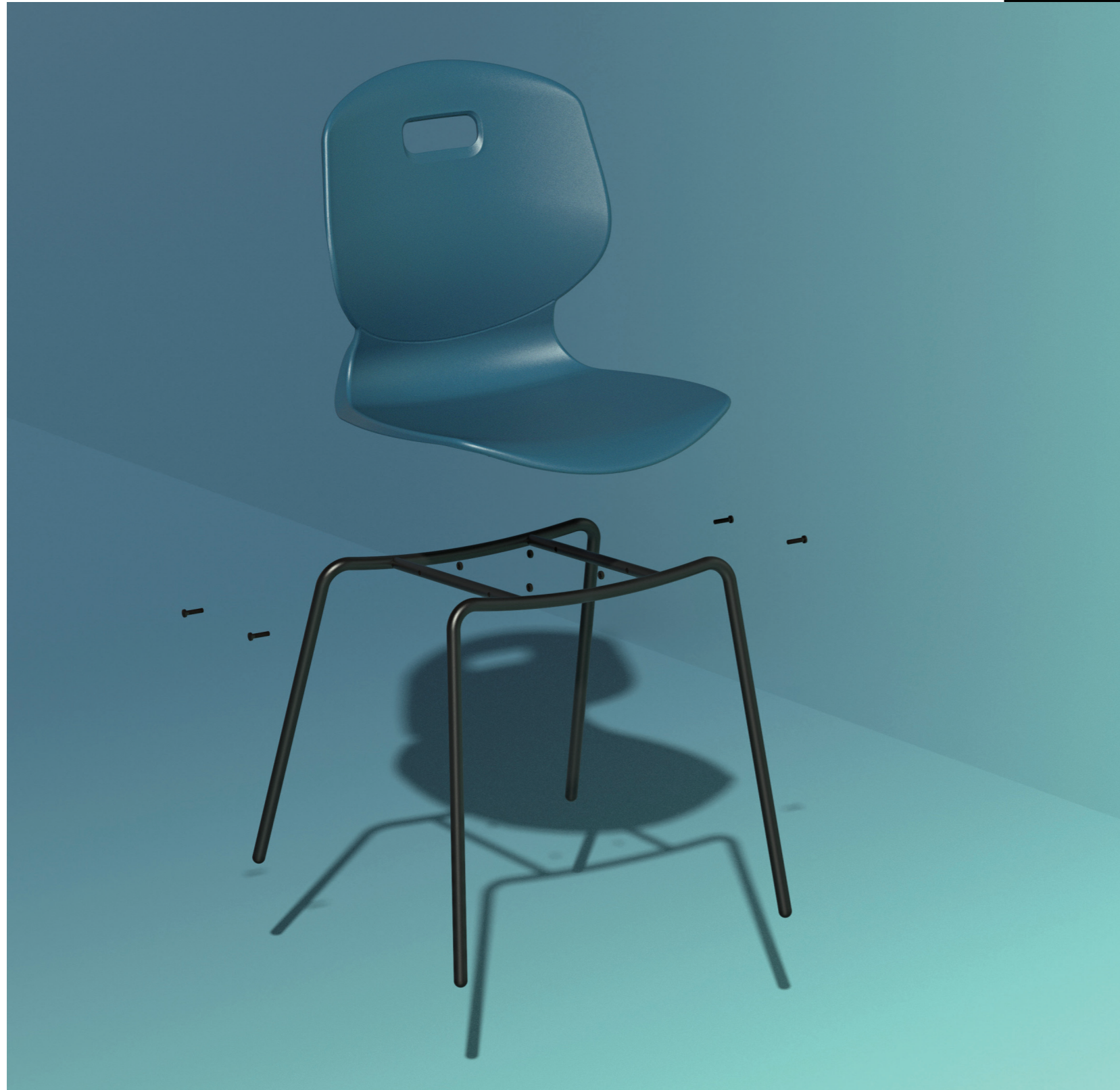


TA3  
**FLEXIBLE  
SKID CHAIR**



**Skid Chair**  
*Page 32 for specification*

Carefully curated and manufactured for its use in conference rooms, lecture halls and even modernised office settings, the Skid Chair is truly multipurpose. Its 'skid' floor-friendly feature is part of the chair's design and overall aesthetic.



## ARC AND THE ENVIRONMENT

Here at Titan, concern for the environment and the connection people have with it, is integral to our business and reflected in all our products.

We place the highest importance on creating long-lasting designs, so you can use our products for years to come. The Arc chair can be used and reused in the future through its carefully thought through engineering.

We are committed to continually improving how we protect the environment, including reducing pollution and waste as well as carefully selecting the materials used within our products. The Arc chair is 100% recyclable and fire retardant. It disassembles easily to enable effortless refurbishment in the future. During the production of Arc we minimise the amount of waste. The small amount that doesn't get used in production is made into new chairs, or other small products, by mechanically recycling the plastic.

We are passionate about supplying products like the Arc chair that support intuitive and flexible teaching environments. We recognise that understanding Titan's relationships with the environment in the design and manufacturing process has never been so important. We want to ensure that we do our part in having the smallest impact possible on the planet.

Titan has attained ISO 14001 certification which is the international standard that specifies requirements for an effective environmental management system (EMS). It provides a framework that we as an organisation can follow, rather than simply establishing environmental performance requirements.



**Reverse Cantilever Chair**  
*Page 33 for specification*

Designed specifically for educational environments, the Reverse Cantilever Chair offers added comfort and legroom when sitting down. The chair has also been carefully designed to be light and easy to nest in spaces like classrooms and lecture halls.

TA4  
**REVERSE  
CANTILEVER  
CHAIR**





TA5  
**FLEXIBLE  
HIGH STOOL**



**Stool**  
*Page 34 for specification*

The Arc Stool is perfect for use primarily within educational settings, laboratories, cafes and lecture halls. This design gives extra legroom and additional strength in the form of leg frame braces.



TA6

# MOBILE FOUR-LEG CHAIR



**Mobile Chair**  
*Page 35 for specification*

This Mobile Chair is easy to integrate into flexible working environments, whether in the office or educational settings, to modernise the way these spaces look and feel. This chair gives the user the ability to move around areas with ease and reconfigure multipurpose rooms quickly.



# HEALTH AND WELLBEING

People and businesses are more conscious than ever about hygiene and cleanliness.

Here at Titan, we are passionate about designing and manufacturing products focused on the needs of those that use them.

The Arc chair is easy to clean and uses an antimicrobial additive in production which kills bacteria on contact - of great importance when many people can be using the same chair each day.

Bacteria survive the longest on plastic, and as furniture designers and manufacturers, we are responsible for ensuring that the materials we use and the products we produce contribute to a healthier environment.

By using an antimicrobial additive, we effectively cut off the pathway for transmission of the various bacteria. Products finished with this formula are environmentally friendly while protecting those who use them by preventing the spread of disease.



TA7 & TA8  
**DYNAMIC 3D  
 TILT CHAIR &  
 PERSONAL  
 WORKSPACE**

**Dynamic 3D Tilt & Personal  
 Workspace**  
*Page 36 for specification*

The Dynamic 3D Tilt chair has a unique 3D mechanism that instinctively tilts forward, back and side to side with the user's weight as they work—creating a dynamic and comfortable sitting experience. It intertwines into flexible working and learning environments, whether office spaces or education environments such as universities. This swivel chair gives the user the ability to





TA9 & TA10

# COMMUNITY CHAIR WITH STORAGE BASE & PERSONAL WORKSPACE



### Community with Storage Base & Personal Workspace

*Page 37 for specification*

Designed to be highly mobile and with personal space management in mind. The storage base provides extra space for your belongings while also practising social distancing in large settings like universities and offices. The chair offers an optional arm tablet, creating a safer workspace.



TA11 & TA12

# HEIGHT ADJUSTABLE SWIVEL CHAIR & PERSONAL WORKSPACE



**Swivel & Personal  
Workspace**  
*Page 38 for specification*

The Swivel provides the same features as the Dynamic 3D Tilt chair, with the same added comfort and moveability, except that it is height adjustable only.



The Arc chair fits perfectly in a range of settings. Whether used in cafes, universities, or modernised office spaces, the Arc chair can adapt and evolve to its many stages.

Arc comes in a range of colours and styles, edging itself away from the typical look and feel of secondary and higher education chairs. Instead of using bright primary colours, Arc is delving into new shades such as sage, coral and anthracite.

Whatever your need, Arc can fulfil it.



# TA1 FOUR-LEG CHAIR SPECIFICATION

The Four-Leg Arc chair is a multipurpose product designed for conference rooms, seminar halls, education and modernised office spaces. Whatever its use, the Four-Leg is curated to add an extra level of support and comfort.

- Conforms to BS EN 1729: Part 1&2 - Strength, Stability and Ergonomics
- Fire Resistant
- Antimicrobial
- Lightweight and easy to move
- Stackable up to 10 high
- Easy to clean and tested for use with chlorine based cleaners
- 5 year guarantee

**CODES:**

TA1\_5 (size 5)  
TA1\_6 (size 6)

**DIMENSIONS:**

	Overall	Seat	Back
TA1_5	485w 520d 820h	425w 410d 430h	405w 425h
TA1_6	490w 535d 855h	425w 410d 460h	405w 425h



# TA2 FOUR-LEG CHAIR WITH BRACE SPECIFICATION

Like the Four-Leg chair but with an extra support brace for extra strength. Ideal for conference rooms, seminar halls, education and modernised office spaces.

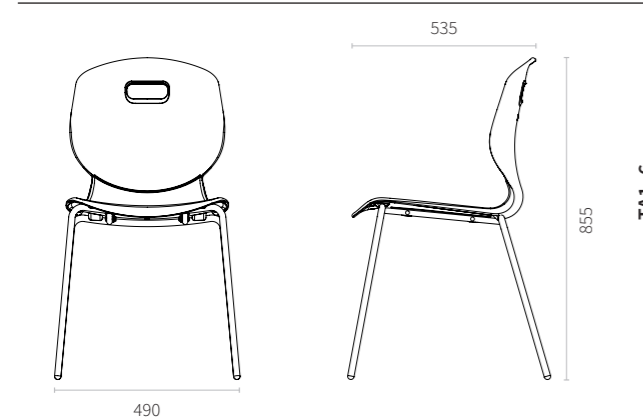
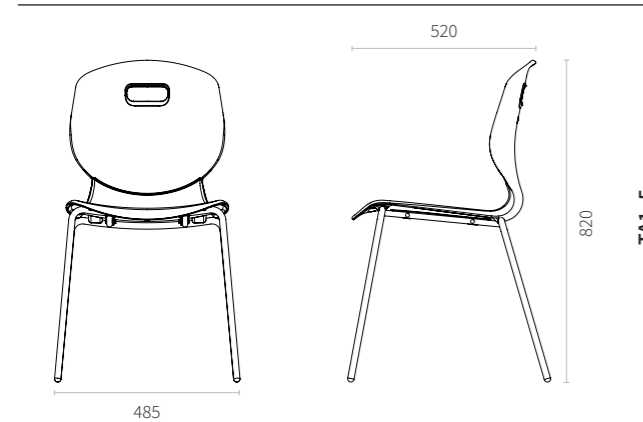
- Conforms to BS EN 1729: Part 1&2 - Strength, Stability and Ergonomics
- Fire Resistant
- Antimicrobial
- Lightweight and easy to move
- Stackable up to 4 high
- Easy to clean and tested for use with chlorine based cleaners
- 5 year guarantee

**CODES:**

TA2\_5 (size 5)  
TA2\_6 (size 6)

**DIMENSIONS:**

	Overall	Seat	Back
TA2_5	485w 520d 820h	425w 410d 430h	405w 425h
TA2_6	490w 535d 855h	425w 410d 460h	405w 425h



**MATERIALS:**

Seat Shell - PP1100 + 4% Glass Fibre  
Base/Frame Materials - Powder Coated Steel

**CERTIFICATION:**

Conforms to BS EN 1729 Part 1 & 2, Antimicrobial

**FIRE RET LEVEL:**

UL94 V-2

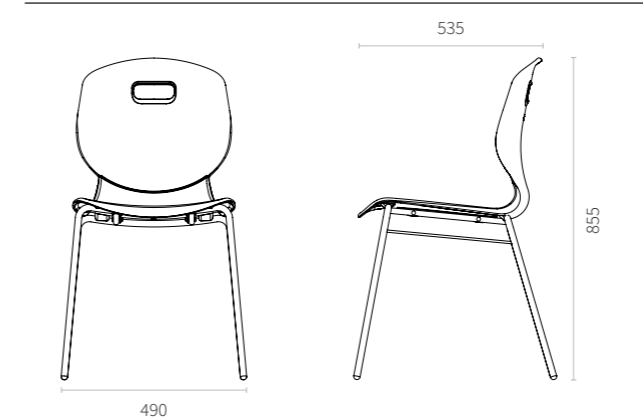
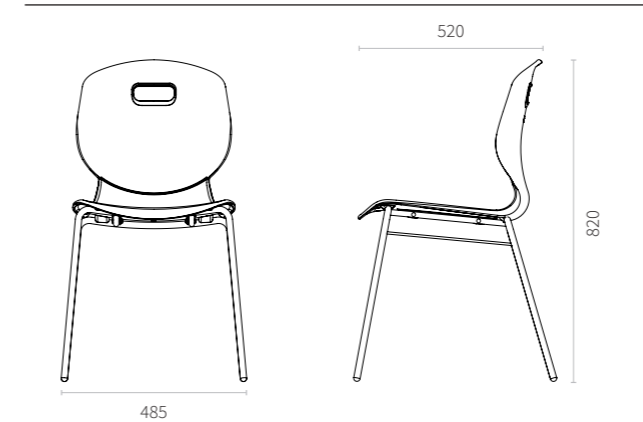
**WEIGHT:**

Size 5 - 4.1kg  
Size 6 - 4.2kg

**SHELL COLOURS**



**FRAME COLOURS**



**MATERIALS:**

Seat Shell - PP1100 + 4% Glass Fibre  
Base/Frame Materials - Powder Coated Steel

**CERTIFICATION:**

Conforms to BS EN 1729 Part 1 & 2, Antimicrobial

**FIRE RET LEVEL:**

UL94 V-2

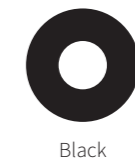
**WEIGHT:**

Size 5 - 4.1kg  
Size 6 - 4.2kg

**SHELL COLOURS**



**FRAME COLOURS**







# TA3 SKID CHAIR SPECIFICATION

The Skid Chair has been carefully curated and manufactured for its use within settings such as conference rooms, lecture halls and modernised office spaces.

- 'Skid' floor friendly leg frame
- Conforms to BS EN 1729: Part 1 & 2 - Strength, Stability and Ergonomics
- 100% Recyclable
- Fire Resistant
- Antimicrobial
- Lightweight and easy to move
- Stackable up to 8 high
- Easy to clean and tested for use with chlorine based cleaners
- 5 year guarantee

**CODES:**

TA3\_5 (size 5)  
TA3\_6 (size 6)

**DIMENSIONS:**

	Overall	Seat	Back
TA3_5	520w 500d 825h	425w 410d 430h	405w 425h
TA3_6	530w 545d 855h	425w 410d 460h	405w 425h



# TA4 REVERSE CANTILEVER SPECIFICATION

The Reverse Cantilever chair has been designed specifically for its use in educational environments.

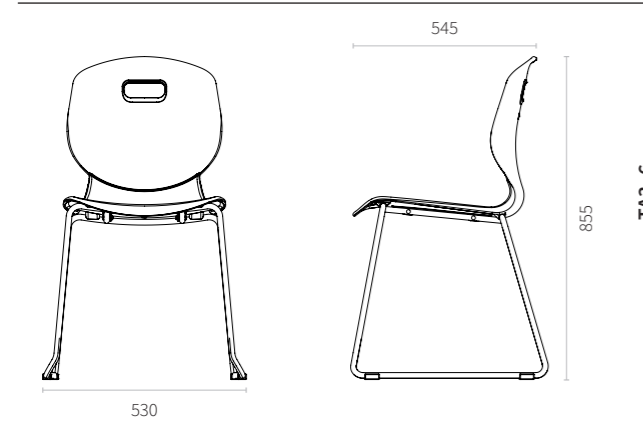
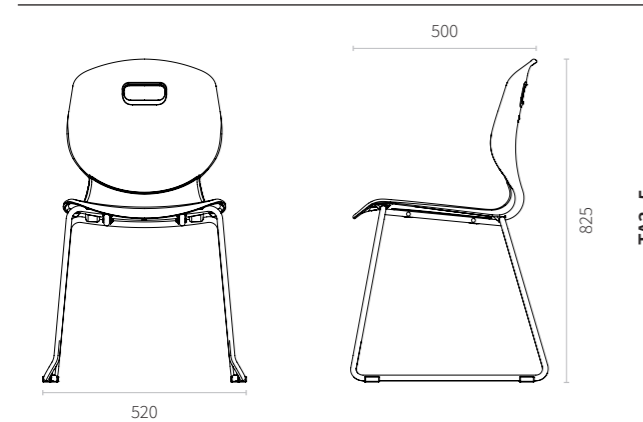
- Easily stackable on tables for cleaning
- Conforms to BS EN 1729: Part 1 & 2 - Strength, Stability and Ergonomics
- 100% Recyclable
- Fire Resistant
- Antimicrobial
- Lightweight and easy to move
- Stackable up to 6 high
- Easy to clean and tested for use with chlorine based cleaners
- 25mm diameter frame
- 5 year guarantee

**CODES:**

TA4\_5 (size 5)  
TA4\_6 (size 6)

**DIMENSIONS:**

	Overall	Seat	Back
TA4_5	497w 515d 830h	425w 410d 430h	405w 425h
TA4_6	497w 520d 860h	425w 410d 460h	405w 425h



**MATERIALS:**

Seat Shell - PP1100 + 4% Glass Fibre  
Base/Frame Materials - Powder Coated Steel

**CERTIFICATION:**

Conforms to BS EN 1729 Part 1 & 2, Antimicrobial

**FIRE RET LEVEL:**

UL94 V-2

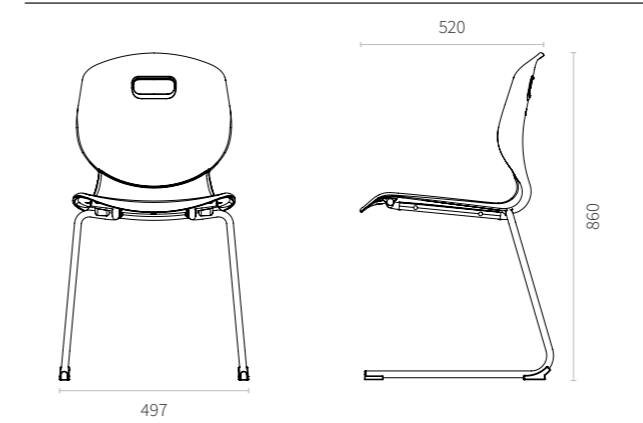
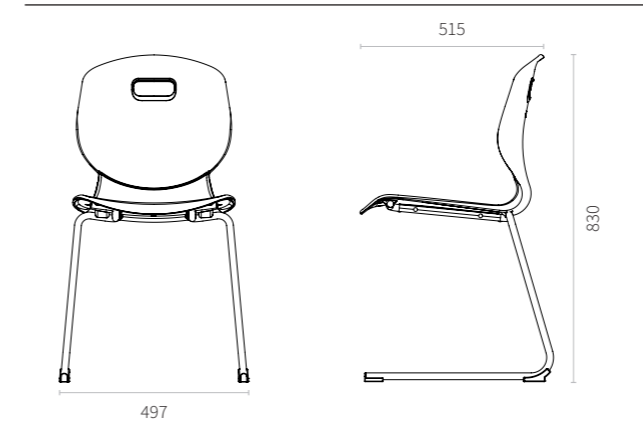
**WEIGHT:**

Size 5 - 4.3kg  
Size 6 - 4.4kg

**SHELL COLOURS**



**FRAME COLOURS**



**MATERIALS:**

Seat Shell - PP1100 + 4% Glass Fibre  
Base/Frame Materials - Powder Coated Steel

**CERTIFICATION:**

Conforms to BS EN 1729 Part 1 & 2, Antimicrobial

**FIRE RET LEVEL:**

UL94 V-2

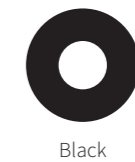
**WEIGHT:**

Size 5 - 4.1kg  
Size 6 - 4.2kg

**SHELL COLOURS**



**FRAME COLOURS**





# TA5 HIGH STOOL SPECIFICATION

The High Stool has been moulded and manufactured for use in laboratories, cafes and modernised lecture halls.

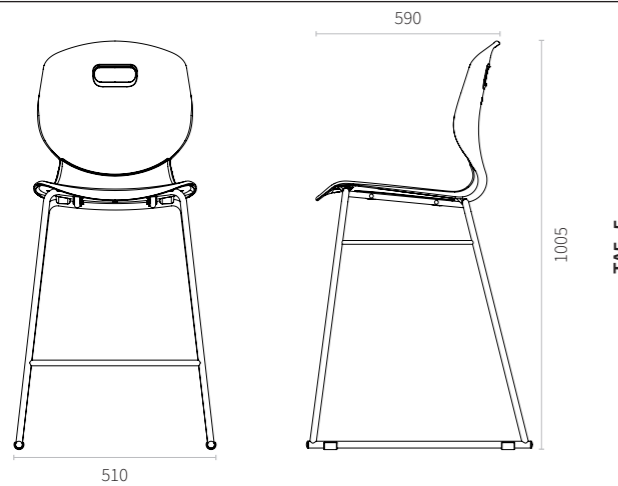
- Skid base
- Conforms to BS EN 1729: Part 1 & 2 - Strength, Stability and Ergonomics
- Leg frame brace support
- 100% Recyclable
- Fire Resistant
- Antimicrobial
- Lightweight and easy to move
- Stackable up to 4 high
- Easy to clean and tested for use with chlorine based cleaners
- 5 year guarantee

**CODES:**

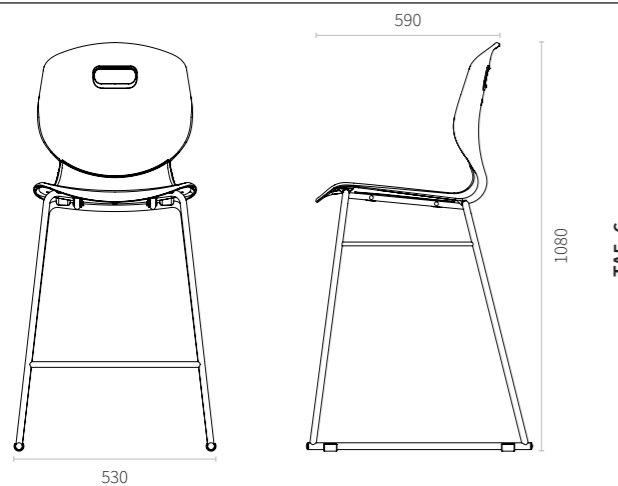
TA5\_5 (size 5)  
TA5\_6 (size 6)

**DIMENSIONS:**

	Overall	Seat	Back
TA5_5	510w 590d 1005h	425w 410d 610h	405w 425h
TA5_6	530w 590d 1080h	425w 410d 685h	405w 425h



TA5\_5



TA5\_6

**MATERIALS:**

Seat Shell - PP1100 + 4% Glass Fibre  
Base/Frame Materials - Powder Coated Steel

**CERTIFICATION:**

Conforms to BS EN 1729 Part 1 & 2, Antimicrobial

**FIRE RET LEVEL:**

UL94 V-2

**WEIGHT:**

Size 5 - 6.0kg  
Size 6 - 6.1kg

**SHELL COLOURS**



**FRAME COLOURS**



# TA6 MOBILE FOUR-LEG SPECIFICATION

Whether you are looking to modernise office spaces or educational settings to enhance productivity, or want to improve the aesthetic of the setting, the Mobile Four-Leg chair has been designed to fulfill all of your needs.

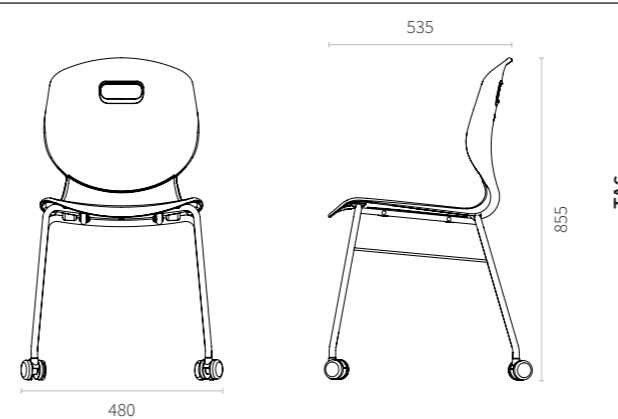
- Mobile and easy to move
- Conforms to BS EN 1729: Part 1 & 2 - Strength, Stability and Ergonomics
- 100% Recyclable
- Fire Resistant
- Antimicrobial
- Easy to clean and tested for use with chlorine based cleaners
- 5 year guarantee

**CODES:**

TA6 (size 6)

**DIMENSIONS:**

	Overall	Seat	Back
TA6	480w 535d 855h	425w 410d 460h	405w 425h



TA6

**MATERIALS:**

Seat Shell - PP1100 + 4% Glass Fibre  
Base/Frame Materials - Powder Coated Steel

**CERTIFICATION:**

Conforms to BS EN 1729 Part 1 & 2, Antimicrobial

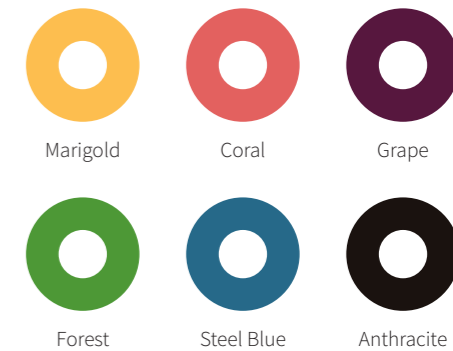
**FIRE RET LEVEL:**

UL94 V-2

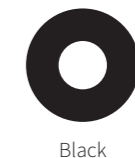
**WEIGHT:**

Size 6 - 4.6kg

**SHELL COLOURS**



**FRAME COLOURS**





## TA7 & TA8 DYNAMIC 3D TILT & PERSONAL WORKSPACE SPECIFICATION

Designed to intertwine into flexible working and learning environments, the Dynamic 3D Tilt is perfect for those wanting to keep their space their own.

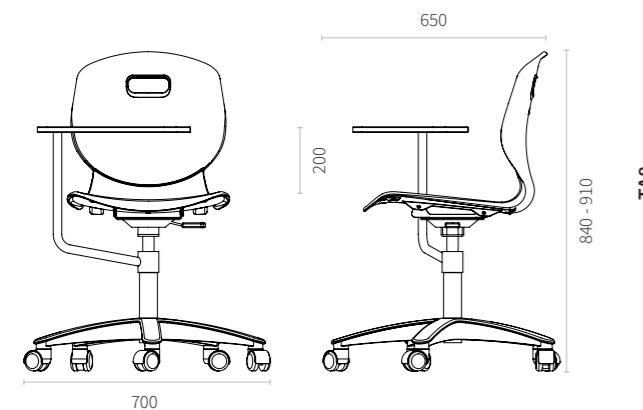
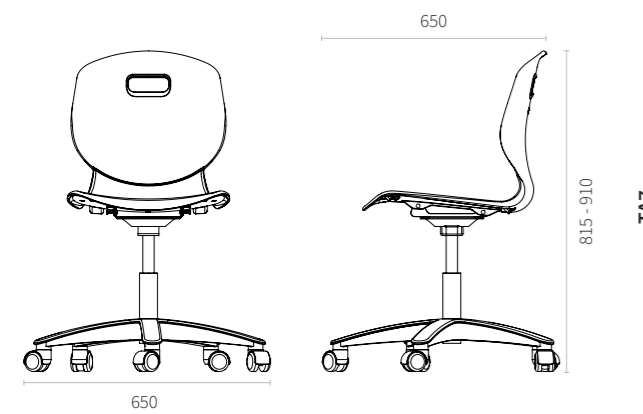
- 4° side to side ,10° backwards and 4° front tilt
- Conforms to BS EN 1729: Part 1 & 2 - Strength, Stability and Ergonomics
- Height adjustable
- Optional Arm Tablet
- 100% Recyclable
- Fire Resistant
- Antimicrobial
- 5 year guarantee

### CODES:

TA7 (size 6)  
TA8 with personal workspace tablet (size 6)

### DIMENSIONS:

	Overall	Seat	Back
TA7	650w 650d 815-910h	425w 410d 445-538h	405w 425h
TA8	700w 650d 840-910h	425w 410d 470-535h	405w 425h
Tablet	365w 250d		



### MATERIALS:

Seat Shell - PP1100 + 4% Glass Fibre  
Base/Frame Materials - Nylon base

### CERTIFICATION:

Conforms to BS EN 1729 Part 1 & 2, Antimicrobial

### FIRE RET LEVEL:

UL94 V-2

### WEIGHT:

TA7 - 7.3kg  
TA8 - 10kg

### SHELL COLOURS



### FRAME COLOURS



## TA9 & TA10 COMMUNITY WITH STORAGE BASE & PERSONAL WORKSPACE SPECIFICATION

The Bag Base and additional arm tablet chair has been thoughtfully designed with personal space management in mind. Perfect for collaboration.

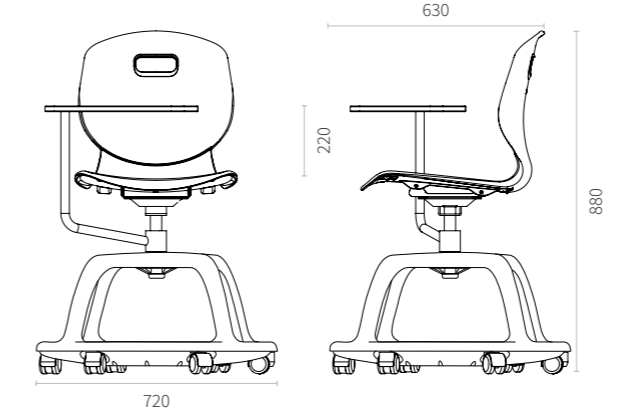
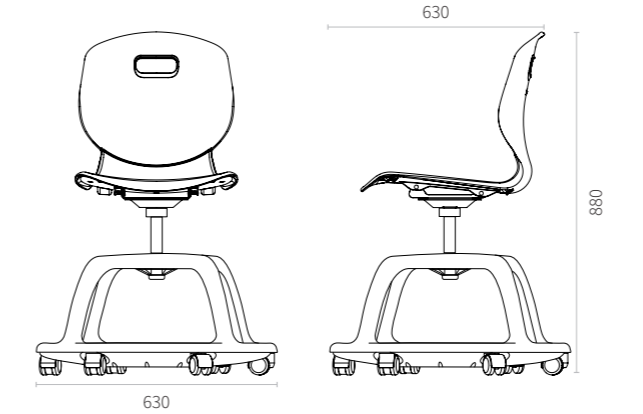
- Conforms to BS EN 1729: Part 1 & 2 - Strength, Stability and Ergonomics
- Optional Arm Tablet
- 100% Recyclable
- Fire Resistant
- Antimicrobial
- Easy to clean and tested for use with chlorine based cleaners
- 5 year guarantee

### CODES:

TA9 (size 6)  
TA10 with personal workspace tablet (size 6)

### DIMENSIONS:

	Overall	Seat	Back
TA9	630w 630d 880h	425w 410d 470h	405w 425h
TA10	720w 650d 880h	425w 410d 470h	405w 425h
Tablet	365w 250d		



### MATERIALS:

Seat Shell - PP1100 + 4% Glass Fibre  
Base/Frame Materials - Polypropylene base

### CERTIFICATION:

Conforms to BS EN 1729 Part 1 & 2, Antimicrobial

### FIRE RET LEVEL:

UL94 V-2

### WEIGHT:

TA9 - 7.3kg  
TA10 - 10.9kg

### SHELL COLOURS



### FRAME COLOURS





# TA11 & TA12 SWIVEL & PERSONAL WORKSPACE SPECIFICATION

The swivel provides the same features as the Dynamic 3D tilt chair, with the same added comfort and moveability, except that it is height adjustable only.

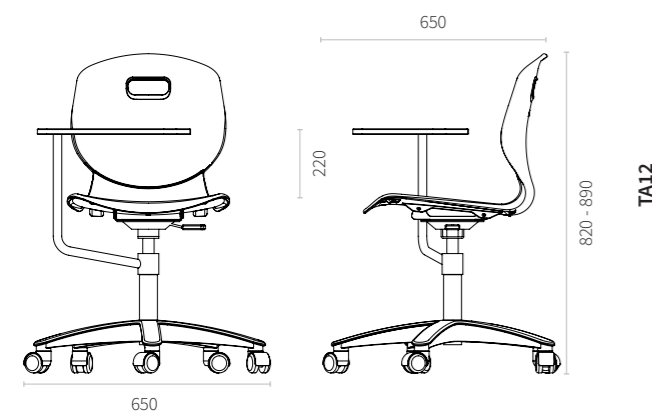
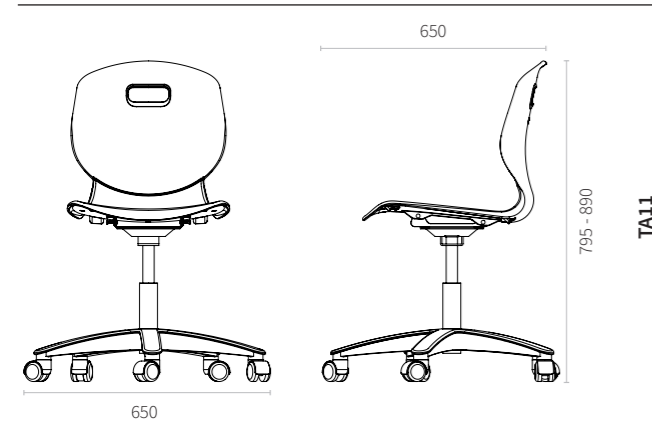
- Conforms to BS EN 1729: Part 1 & 2 - Strength, Stability and Ergonomics
- Optional Arm Tablet
- 100% Recyclable
- Fire Resistant
- Antimicrobial
- Easy to clean and tested for use with chlorine based cleaners
- 5 year guarantee

**CODES:**

TA11 (size 6)  
TA12 with personal workspace tablet (size 6)

**DIMENSIONS:**

	Overall	Seat	Back
TA11	650w 650d 795-890h	425w 410d 795-890h	405w 425h
TA12	650w 650d 820-890h	425w 410d 820-890h	405w 425h
Tablet	365w 250d		



**MATERIALS:**

Seat Shell - PP1100 + 4% Glass Fibre  
Base/Frame Materials - Nylon base

**CERTIFICATION:**

Conforms to BS EN 1729 Part 1 & 2, Antimicrobial

**FIRE RET LEVEL:**

UL94 V-2

**WEIGHT:**

TA11 - 7.3kg

TA12 - 10kg

**SHELL COLOURS**



Marigold Coral Grape



Forest Steel Blue Anthracite

**FRAME COLOURS**



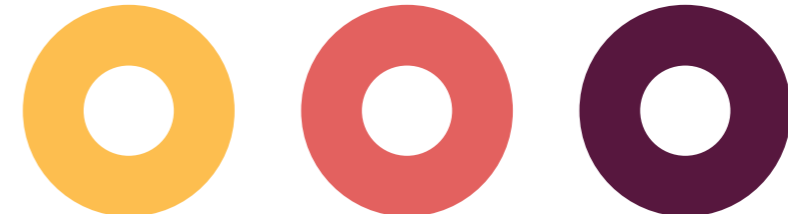
Black

# FINISHES

Our finishes are designed for ease of coordination and use, abundance of choice and thoughtfulness to the environment.

The Arc chair's design is the aesthetic that will define the Titan brand for years to come, refreshing and overhauling the way we look at improving and modernising educational settings.

Below we have listed all colour finishes available with the Arc chair.



Marigold Coral Grape



Forest Steel Blue Anthracite



## Head Office: Southern Depot

▶ Marsh Road | Lords Meadow Trading Estate | Crediton | Devon | EX17 1EU  
Sales: Tel:01363 775411 | Fax: 01363 772467

## ▶ Northern Depot

Unit 4 Heathfield Business Park | Heathfield Street | Elland Halifax | Yorkshire | HX5 9AE  
Sales: Tel:01422 311276 | Fax:01422 311278

▶ [www.universalofficesolutions.co.uk](http://www.universalofficesolutions.co.uk) ▶ Email: [sales@uosltd.co.uk](mailto:sales@uosltd.co.uk)